



**DAYS WITHOUT  
LOST TIME ACCIDENTS**

**100 mm high digits.  
Readable from up to 50m.**

**Options:  
Ethernet communication using web server.**

## General characteristics

Power supply	100V a 240V AC 50/60Hz
Box	Thermoformed methacrilate and steel base
Fixing	4 anchor points inside the box
Display	Red leds
Working conditions	-15°C a 60°C
Protection level	IP41
Battery	NI-MH 3,3V.
Measures	518 x 320 x 60mm

## Installation

The display is provided with power socket, plugs and screws for mounting to the wall. No specific skills are required for its installation.

The IP address is assigned using the pushbuttons placed on the rear part of the display.

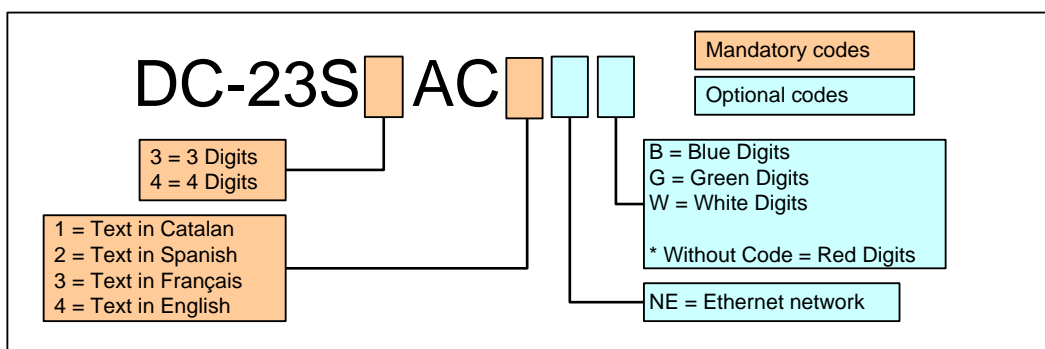
The time and display settings can be modified using three buttons located on the rear part, accessible once installed or through the internet connection.

The option allows to connect to the display using Ethernet knowing only the IP address. Within the display there is a web server that allows us to see the time, date, level of GPS signal (if the display has the option) and the IP address. The user can also change the display settings.

To access the web server the user must enter the IP address of the clock in the browser URL.

The automatic increment of the counter is done at 00:00 each day if there is no interaction from the user. If the number of days must be modified, the counter is changed through the web page or the parameter menu of the display.

## Reference composition



### EXAMPLES:

#### DC-23S3AC4

DC-23AC series display , 3 digits, one side, text in English

#### DC-23S4AC3

DC-23AC series display , 4 digits, one side, text in French